

# THE MESSENGER

PAYSON PARK CHURCH

UNITED CHURCH OF CHRIST

365 BELMONT STREET, BELMONT, MA 02478

617-484-1542 FAX 617-484-1526



---

## FEBRUARY 2009

---

### OUR MISSION STATEMENT

**“We believe God is calling us to walk in the ways of Jesus Christ  
and to bear witness to the Gospel through worship and service, empowered by the Holy Spirit.”**

As it was said many times on Sunday, January 25, by many different people, the past year we shared together was full of challenge. Updating our bylaws, assessing our name, and forming a budget in a time of organizational and global economic strain, had us working hard in new ways to talk faithfully with each other, always with care, respect, and patience. After many church forums and congregational meetings, we came to our Annual Meeting ready to speak and listen again, voting openly, then, in the Congregational tradition. It was an historic day in our life together, and I thank all who were present for the faithfulness shown, and Al Gledhill, our Moderator, for his leadership. While the name of our church did not change with the events of this past year, I believe our community did. We grew in our abilities to live and learn together in all of our diversity through difficult times. Through God’s Spirit and our love, we moved through a year of great transition.

January 25 was also the day we said “farewell” to Rob. Celebrating his nine years of service, we gave thanks for the ways he touched so many people through his ministry, young and old alike. His preaching and teaching, his pastoral outreach and mission involvement will be greatly missed. At the same time, we can be glad that his spirit lives on as we continue traveling the path we shared with him. Though we are parted physically, we will forever be joined by the Spirit’s power as we work to build Christ’s mission in this world.

And that is what we prayerfully undertake as we move forward together with nearly 130 positions filled on the newly approved Nominating Committee’s slate. Day by day, week by week, we will work together so that we and others may come to know more deeply the great Christian claim, “Love never ends.”

Amen—may it be so.

The Reverend Lael Atkinson



---

### INSIDE THIS ISSUE

---

Worship Schedule 2

Worship & Education News 3

Fellowship Opportunities 4

M & O Programs 5

Music Ministries 6

Sharing & Caring 7

Kidspage 8

Calendar 9

---

## FEBRUARY WORSHIP SCHEDULE

**SUNDAY, FEBRUARY 1, 2009**

**10:30 a.m.**

**The Reverend Lael Atkinson preaching**  
**A Service of Holy Communion**

**Sermon** “Open to Change?”

**Scripture** 1 Corinthians 8: 1-6; Mark 1: 21-28

**Anthem** “How Lovely Shines the Morning Star”  
Johann Schop

Our Fellowship Hour will be hosted by the Christian Education Committee. Altar Flowers are given by G. Richard MacDonald in loving memory of Amy MacDonald and by Joan Agius in loving memory of her parents, Edward and Marjorie Dwyer.

**SUNDAY, FEBRUARY 8, 2009**

**10:30 a.m.**

**The Reverend Lael Atkinson preaching**

**Sermon** “Strength for the Journey”

**Scripture** 1 Corinthians 10: 23-33; Mark 1: 29-39

**Anthem** “Does the Journey Seem Long?”  
Linda Kerby  
“The Lord is My Strength” G. F. Handel  
Kaori Emery and Sara Wyse-Wenger, soloists  
“Precious Lord, Take My Hand” Kurt Kaiser  
Alice Holt, cello

Our Fellowship Hour will be hosted by the Endowment Trustees. Altar flowers are given by Charles and Elaine Giles and family in loving memory of Lloyd and Julia Giles.

**SUNDAY, FEBRUARY 15, 2009**

**10:30 a.m.**

**The Reverend Lael Atkinson preaching**

**Sermon** “The Power of Choice”

**Scripture** 1 Corinthians 12: 12-20 & 27; Mark 1: 40-45

**Anthem** “Here’s One” Spiritual, arr. William Grant Still  
Shannon Larkin, soloist

**Solo** “Balm in Gilead” Spiritual, arr. H T. Burleigh

Our Fellowship Hour will be hosted by the Mission & Outreach Committee. Altar flowers are given by Mary Simonds in loving memory of her husband John L. Simonds and by Irene Richard in loving memory of her sister Grace Stockbridge and by Isabella Martin in loving memory of William H. Martin.

**SUNDAY, FEBRUARY 22, 2009**

**10:30 a.m.**

**John Brock, Ministerial Intern preaching;**  
**The Reverend Lael Atkinson presiding**

**Sermon** “Christ Revealed”

**Scripture** Psalm 50: 1-6; Mark 9: 2-9

**Anthem** “Dazzling as the Sun” Gwyneth Walker  
“I Am the Light” Gerald Chuisano  
Alleluia & Junior Choirs

Our Fellowship Hour will be hosted by the Personnel Committee. Altar flowers are given by Karen Norton and Bill Eaton in loving memory of Jean Eaton.

### ASH WEDNESDAY SERVICE

**FEBRUARY 25, 7:30 P.M.**

Join us as we begin the season of Lent with a service of prayer, song, and reflection. This time of worship helps us to enter the forty day journey to Easter in the spirit of mindfulness and humility. Please call the Church Office if you need a ride.

Also: Mark your calendars for special Holy Week services as we plan to gather at 7:30 p.m. on Maundy Thursday (April 9) and Good Friday (April 10) to reflect upon the stories that describe the final days of Jesus’ life.

### SUNDAY WORSHIP:

#### SCRIPTURE READERS WELCOMED!

Would you like to read Scripture on Sunday? Please call the Church Office or speak with Lael. We would love to have you participate in worship in this way!

### WORSHIP ATTENDANCE

We thank members and friends for worshipping with us last month. We gathered together joyfully, even on some snowy winter mornings!

January 4:	109	January 18:	50
January 11:	52	January 25:	165

# WORSHIP & EDUCATION NEWS

## DENOMINATIONAL EVENTS:

### GENERAL SYNOD IN JUNE

Have you ever considered attending the national gathering of our denomination? With nearly 3,000 delegates and visitors convening together every two years, the experience is phenomenal. This year, the event will be held in Grand Rapids, Michigan in late June. Lael Atkinson attended the past two meetings in Atlanta and Hartford as a delegate of Massachusetts and could tell you more about the experience, or you may go to the website, [ucc.org](http://ucc.org). Remember: we are a single church part of a much greater whole!

## PLEDGING OUR LIVES IN LOVE: ANNUAL STEWARDSHIP DRIVE

As we progress through the month of February, we continue to have the opportunity - and challenge! - to consider how we give our gifts of treasure to God for the continued mission of Jesus. This year we're working to reach the goal of \$125,000 in pledges. As a member or friend of Payson Park Church, we hope you've made a financial pledge for the benefit of the church and universal. If not, we still need you! Please speak with Rick Marsh or Jeff Cronin if you have questions about pledging.



**LET IT SNOW,  
LET IT SNOW, LET IT SNOW...  
BUT PLEASE, NOT ON SUNDAY!**

As we enter the winter season, the Diaconate reminds you that Sunday morning worship services will be cancelled when a parking ban is in effect in Belmont. To confirm such a cancellation, please call the Church after 8:00 a.m. on the Sunday in question. The recorded message will provide information about the morning service. If you call the church and do not hear the recording, please call again. The line may be busy with another caller. Thank you!



## CREATIVE EXPRESSIONS:

### LETTING YOUR SPIRIT SPEAK

**WEDNESDAYS, FEBRUARY 11 & 18, 7:00 - 8:30 P.M.**

What is your earliest memory of being in church? How did you first hear about "God"? In this two-part adult education class, Lael will help us reflect upon the ways our faith formed, offering us, then, the opportunity, to express those memories in word and image. Come, appreciate how the path of your spiritual journey is unfolding. Come, think about the ways you share your faith with the young. [Note: if you plan to attend these workshops, please call the Church Office by Monday, February 9 and/or 16. In case of snow, check the church message the night of class.]

## ANNUAL MEETING & LUNCHEON THANKS TO THOSE WHO HELPED MAKE THIS COMMUNITY CELEBRATION SO FESTIVE!

Thank you to all who helped with and attended the Annual Meeting and Luncheon on Sunday, January 25, with a special thanks to Karen Harvey. It was a festive and meaningful occasion for all, helping us to build our relationships with God and one another!

## NEW MEMBERS TO BE RECEIVED INTO THE LIFE OF PAYSON PARK CHURCH

Are you looking for a church to call "home" at this time in your life? Would you like to explore what it means to be a member of Payson Park Church and the United Church of Christ? New members will be received into the life of this congregation in March. Please speak with Lael if you have questions about membership opportunities.

## EDUCATION & FELLOWSHIP OPPORTUNITIES



### **BODY & SOUL**

**A TIME OF SHARING & CONTEMPLATION**

**MONDAY, FEBRUARY 23, 7:00 - 8:30 P.M.**

Mark your calendars for a time of spiritual sharing and support! On Monday, February 23, the group "Body & Soul" will meet for a time of extended meditation and personal sharing. Lael Atkinson will offer special music selections from artists she finds inspirational, in addition to providing reading resources that have helped her to grow spiritually. The night's discussion will also include a time of sharing around the ways of our faith encourages us to care for our bodies in healthy ways. Please join us for this evening of quiet reflection - and bring resources that you find helpful in your life!

### **FAITH, HOPE AND LOVE FELLOWSHIP**

Our group has met monthly, summer and winter, on Wednesday evenings in the parlor or the Pastor's Study. However, we have decided to change our meeting time to Tuesday afternoons from 2 to 4 pm. (We will not meet on the last Tuesday of the month when The Good Afternoons group meets). There are usually five or six of us, and you can drop in any time, or knit at home if you can't come during the day. We also give instructions. It's a simple pattern. There are a couple of people who often come in just to chat. We enjoy their company, too. With our daytime meetings, we are hoping that more people can join us. The next Tuesday afternoon meeting will be on February 3. Mark your calendars!

### **YOUTH MINISTRIES AT PAYSON PARK CHURCH**

A recent Gallup poll reports that there are six basic needs of young people:

- 1) The need to believe that life is meaningful and has a purpose;
- 2) The need for practical help in developing a mature faith;
- 3) The need to feel one is growing in faith;
- 4) The need for a sense of community and deeper relationships;
- 5) The need to be appreciated and loved; and
- 6) The need to be listened to - to be heard.

Through the Youth Ministry programs at Payson Park Church, we are working to address each of these basic needs of young people. We offer a youth group twice a month for high schoolers where they have had the opportunity to prepare apple crisp for elders to enjoy with their Thanksgiving dinner, to create Christmas cards for shut ins to enjoy, and to make

...continued on page 7.

### **THE GOOD AFTERNOONS: TUESDAY, FEBRUARY 24, 2:00 - 3:30 P.M.**

"Aging isn't for the faint of heart." Isn't that the truth! Join us as we continue sharing some tips to help beat the hands of time. This month, in addition to our discussion, we'll view *Change Your Brain, Change Your Life*, an educational program aired on PBS featuring specialist Daniel Amen, MD. We'll gather in the Parlor, where delicious and nutritious refreshments will be provided by participants. All ages are welcome as we give thanks for God's creation in this unique and human way. [Note: in case of snow, please call the Church Office to find out if this event has been postponed.]

# MISSION AND OUTREACH PROGRAMS



## CARING FOR CREATION

**MONDAY, MARCH 2, 7:00 - 8:30 P.M.**  
**SAVING ENERGY IN OUR CHURCH**

On a cold winter evening, a small group of us enjoyed warm fellowship in the Parlor as we talked with Rick Marsh about how our heating system works. Each of the five zones of the church has its “clock” which schedules the automatic heating of rooms by our gas furnace according to use by church and community programs.

Some things we might do to help save more gas emissions (=global warming) AND save money need to be studied carefully, such as possible insulation or replacement of windows; these represent capital investments in our building. What would you think if the leaded windows on the street side were replaced by modern heat-saving windows? What would you think about incandescent lights in the sanctuary?

Other things we might do right away include having a free audit of our building’s energy use by Belmont Electric; weather-stripping doors and windows; educating our whole congregation about closing doors between heated and unheated rooms, and turning off lights when not in use, in our church home as we do in our own homes.

Come to our next meeting on March 2 with your own ideas and questions! We’ll be talking also about who can best do what.

Isabel Best  
 617-489-2236  
 isabel.best@verizon.net

## CITY MISSION SOCIETY DAY OF SERVICE

In honor of the Rev. Dr. Martin Luther King’s birthday and in the spirit of his message of sharing and serving, 180 volunteers from area churches gathered with City Mission Society leaders on January 17 for a day of community service. Teams went to a dozen sites in the Boston area, performing such tasks as cleaning and painting in churches and day care centers, preparing books for prison ministries, sorting used clothing and serving a brunch to Pine Street Inn guests. The PPC team, consisting of Emily Dallman, Elizabeth Thidemann, Cynthia and John Lasker and Jess Hanley, joined with a group from Greenfield and went to the International Church in Brighton. We cleaned and painted 4 bathrooms and repaired a railing in the sanctuary and learned from the pastor about the international congregations using this building.

The day began and ended with worship, song, good food and fellowship as we sought to emulate Dr. King’s messages in our service. In his words, “Our lives begin to end the day we become silent about things that matter.”

## BRISTOL LODGE FOOD KITCHEN: HELPING THE HUNGRY NEAR HOME

Date: Friday, February 20  
 Delivery: 3-5 p.m. delivery to Emmanuel  
 Methodist Church, Waltham  
 Serve: 5-5:45 p.m.  
 Menu: Tortilla Lasagna, tossed salad, rolls

Check the Mission & Outreach bulletin board for details, recipes and sign-up, and speak to Cynthia Lasker with questions.

## MUSIC MINISTRIES



### SING AT PLEASANT STREET CHURCH, UCC IN ARLINGTON

**SATURDAY, FEBRUARY 28, 10:00 A.M.**

Join in the spirit of praise as Bryan Moyer Suderman leads young and old alike in spirited Christian songs of wonder. Since the release of God's Love is for Everybody, Bryan's "songs for small and tall" have become favorites with families and churches across North America and beyond. To learn more about Bryan and his music, visit [smalltallmusic.com](http://smalltallmusic.com). Suggested donation for concert: \$5 per family.



### THE PICK-UP CHOIR WELCOMES YOU!

Psalm 91 reads, "O Lord, open my lips, and my mouth will declare your praise." You don't have to have a trained voice or any musical experience to join in our praise, simply ask the Lord to help you open your lips and give back the gift that has been given to you! Join us Sunday, February 8 at 9:00 a.m. in the sanctuary to rehearse the anthem "Does the Journey Seem Long?" an arrangement of a lesser-known hymn by Lindy Kerby. Section leaders will help us learn our parts. Copies of the music will be on the table in the narthex beginning February 1. Questions? See our Director of Music, Cathy Meyer.

### ANGEL TREE

This past week I received a "thank-you" letter from the Community Services Directors at The Second Step, which I have posted next to the office door at the church. For those of you who are unable to be in the building to read those postings, I would like to share this paragraph with you. It was taken from an email that a client sent after she received her Christmas gifts:

*"Thank you so much, this was the best Christmas ever. It made me feel so special and full that next year I hope to do this for someone else. Truly this is a second step for us. You are not giving me the fish, you are teaching me how to fish - so that I can feed and take care of my family and myself. Your kindness has enabled me to move a few more steps in the right direction, there's no option to lose."*

Your dedication to The Second Step shelter means a lot to many: to those at our church who have supported them over the past decade, to the staff at TSS who work so hard to improve the lives of others, and to the clients and their children.

Thank you again,  
Cathy Meyer

### OUR CHILDREN'S MUSIC MINISTRIES BEGIN THE SPRING TERM!

Registration is taking place now for our spring term. Rehearsal times are as follows, beginning February 1:

Cherub Choir (infant - pre-K): Tuesdays, at 10:15 a.m.  
Alleluia Choir (pre-K - grade 1): Tuesdays at 4:15 p.m.  
Junior Choir (grades 2-4): Tuesdays at 3:30 p.m.  
Youth & Senior High Choirs (grades 5-12): Sundays at 9:00 a.m. NEW TIME!

If you would like to register, please speak with Cathy Meyer or email [musicdirector@paysonpark.org](mailto:musicdirector@paysonpark.org). We have some very exciting things planned for the new year, including a variety show! We certainly hope you will join us! Bring your friends!

## SHARING & CARING



### A TIME OF SUPPORT AND SHARING THURSDAY, FEBRUARY 19, 6:00 - 7:30 P.M.

As the winter season continues, the days still so long and cold, the concern we feel for our frail loved ones often increases. Whether you are caring for a parent or friend who lives nearby or far away, you are invited to share joys and challenges you are facing in this season. Join John Brock and others in the Pastor's Study on Thursday, February 19, from 6:00—7:30 p.m. This is a time of sharing and prayer—it is a night for YOU. Caregivers you-Night! [Note: if you plan to attend, please call the Church Office by Wednesday, February 18.]

### YOUTH MINISTRIES AT PAYSON PARK CONTINUED FROM PAGE 4

dozens of cookies to share with others. Occasionally, they meet just for friendship and community building. The younger youth have enjoyed time following their choir practices. They also made hundreds of Christmas cards to share. Continuing in this spirit of serving others, on Sunday, February 8, Cathy Meyers and Carl McDonald will be working together to take the youth to Mount Pleasant Nursing Home in Jamaica Plain. The choir will sing at the monthly worship service for the elders.

Confirmation continues on the first Sunday of each month. We have three confirmands who are participating and there is a need for two more mentors. If you are interested in serving as a mentor, please contact either Carl McDonald or Cindy Lou Benson.

**Answer to Kidspage:** 1. Jewels 2. Crowns 3. Pearls 4. Silver 5. Gold 6. Coins 7. Ring 8. Rubies 9. Bracelets 10. Earrings 11. Necklace Hidden word: Treasure

### REACHING OUT TO THE YOUNG PAYSON PARK CHURCH NURSERY SCHOOL

Are you looking for a nursery school program for your child? Do you have neighbors or friends who are making plans for their young children for the fall? The Payson Park Church Nursery School is currently accepting applications for enrollment in September. Scheduling is flexible, and discounts are available for Church members. Please call Janet Coleman, Nursery School Director, for more information (617/489-4824).



CABLE BROADCASTING TIMES

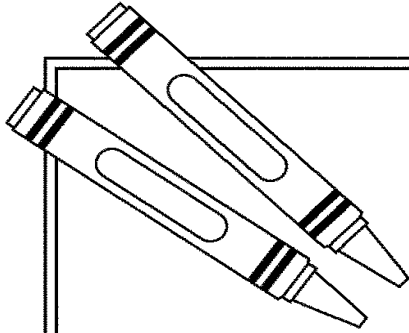
If you or a loved one are unable to attend worship on Sundays, we hope you'll join with us in the spirit of prayer during the week. The Sunday services of our church are broadcast on local cable networks at the following times: In Belmont, Sundays at 9:00 a.m., Tuesdays at 3:00 p.m., Thursdays at 9:00 p.m., and Fridays at 5:00 p.m.; in Waltham, Sundays at 8:00 a.m.; in Arlington, Sundays and Wednesdays at 4:30 p.m.; and in Watertown, every other Tuesday at 9:00 p.m.



### A PRAYER FOR GRATITUDE

Thou hast given so much to me  
Give one thing more - a grateful heart:  
Not thankful when it pleaseth me,  
As if thy blessing had spare days,  
But such a heart whole pulse may be  
Thy praise.  
*George Herbert*

# KIDS PAGE



## Just for **KIDS**

### Matthew 6:21

“For where your \_\_\_\_\_ is,  
there your heart will be also.”

There is a special or valuable item in each verse below.  
Find the item and fit it into the boxes with the  
corresponding number. Unscramble the letters  
that are circled. Spell a word that fills the blank above.

The crossword puzzle grid consists of the following numbered starting points:

- 1: Down, 5 boxes
- 2: Down, 5 boxes
- 3: Across, 5 boxes
- 4: Down, 5 boxes
- 5: Across, 5 boxes
- 6: Down, 3 boxes
- 7: Across, 5 boxes
- 8: Across, 5 boxes
- 9: Down, 5 boxes
- 10: Across, 5 boxes
- 11: Across, 5 boxes

Circled letters are located at the following grid positions (row, column):

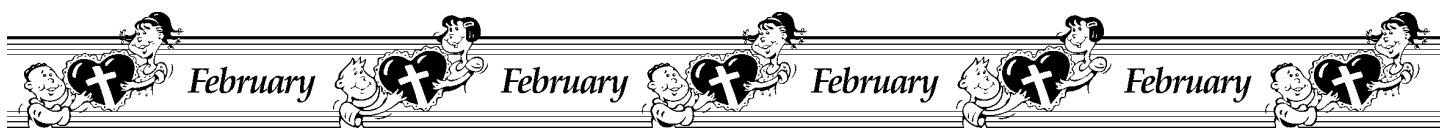
- (3, 1)
- (3, 2)
- (5, 4)
- (6, 1)
- (7, 3)
- (8, 2)
- (10, 1)
- (11, 4)
- (9, 1)

- Verses:**
1. Zechariah 9:16
  2. Esther 2:17
  3. Matthew 13:45-46
  4. Proverbs 25:4
  5. 2 Timothy 2:20
  6. Luke 21:2
  7. Genesis 41:42a
  8. Proverbs 3:15
  9. Ezekiel 16:11
  10. Exodus 35:22
  11. Ezekiel 16:11

Hidden word:

\_\_\_\_\_

# FEBRUARY 2009 CALENDAR



## SUNDAY, FEBRUARY 1

9:00 AM Youth/Senior High Choirs  
 10:30 AM Worship & Church School  
 11:30 AM Fellowship Hour  
 12:00 noon Confirmation Class  
 6:30 PM Senior High Youth Group

## TUESDAY, FEBRUARY 3

1:00 PM Staff Meeting  
 2:00 PM Faith, Hope & Love Fellowship  
 7:00 PM Church Council

## THURSDAY, FEBRUARY 5

6:30 PM Nominating Committee  
 7:30 PM Chancel Choir Rehearsal

## SUNDAY, FEBRUARY 8

9:00 AM Pick-up/Senior High Choir Rehearsal  
 9:00 AM Youth Class Youth Group  
 9:00 AM Mission & Outreach Committee  
 10:30 AM Worship & Church School  
 11:30 AM Fellowship Hour  
 12:00 noon Christian Education Committee Mtg.  
 1:00 PM Sr. High & Youth Class Youth Group

## MONDAY, FEBRUARY 9

7:00 PM Diaconate

## TUESDAY, FEBRUARY 10

1:00 PM Staff Meeting  
 2:00 PM Faith, Hope & Love Fellowship  
 7:30 PM Finance & Property Committee

## WEDNESDAY, FEBRUARY 11

7:00 PM Creative Expressions  
 (RSVP by 2/9)

## SUNDAY, FEBRUARY 15

9:00 AM Youth/Senior High Choirs  
 9:30 AM Chancel Choir Rehearsal  
 10:30 AM Worship & Church School  
 11:30 AM Fellowship Hour  
 6:30 PM Senior High Youth Group

## TUESDAY, FEBRUARY 17

1:00 PM Staff Meeting  
 2:00 PM Faith, Hope & Love Fellowship

## WEDNESDAY, FEBRUARY 18

7:00 PM Creative Expressions  
 (RSVP by 2/16)

## THURSDAY, FEBRUARY 19

6:00 PM Caregivers Unite (RSVP by 2/18)  
 7:30 PM Chancel Choir Rehearsal

## SUNDAY, FEBRUARY 22

9:00 AM Youth/Senior High Choirs  
 9:30 AM Chancel Choir Rehearsal  
 10:30 AM Worship & Church School  
 11:30 AM Fellowship Hour  
 6:00 PM Senior High Youth Group

## MONDAY, FEBRUARY 23

7:00 PM Body & Soul

## TUESDAY, FEBRUARY 24

1:00 PM Staff Meeting  
 2:00 PM The Good Afternoons

## WEDNESDAY, FEBRUARY 25

7:30 PM Ash Wednesday Service

## THURSDAY, FEBRUARY 26

7:30 PM Chancel Choir Rehearsal

### Do You Need to Reach the Pastor?

The Reverend Lael Atkinson can be reached through the Church Office or at home (617) 464-4990.

THE MESSENGER

PAYSON PARK CHURCH

365 BELMOT STREET

BELMONT MA 02478-3438

Rev. Lael Atkinson, Pastor; Rev. Terence R. Willis, Pastor Emeritus; John Brock, Ministerial Intern; Cindy Lou Benson, Christian Education Director; Terry Halco, Minister of Music; Cathy Meyer, Director of Music; Jeff Cronin, Treasurer; Kevin Cassidy, Sexton; Sally Markham, Messenger Editor; Carol Martinos, Administrative Secretary; Janet Coleman, Nursery School Director; Carl McDonald, Acting Youth Minister.



**Coming soon...**

**Vacation Bible School 2009**

**Crocodile dock,**

**Where Kids Fearless Kids Shine God's Light**

Our June Summer Program is in its planning stages and we need your help.

The Decoration Committee is beginning to collect items.

If you have an item to lend or donate, please bring it to church and give to Cindy Lou or Cathy.

Spanish moss, Inflatable alligators or crocs, Any "gator goodies". Pink flamingos, Rope lights , Fishing nets or other fishing equipment, Crates, Pom-poms, Cardboard tubes, Fishing line, and Camo netting

Registration information and confirmed dates will be available in March. Please speak with the directors:

Cindy Lou Benson, [cedirector@paysonpark.org](mailto:cedirector@paysonpark.org)

Cathy Meyer, [musicdirector@paysonpark.org](mailto:musicdirector@paysonpark.org)